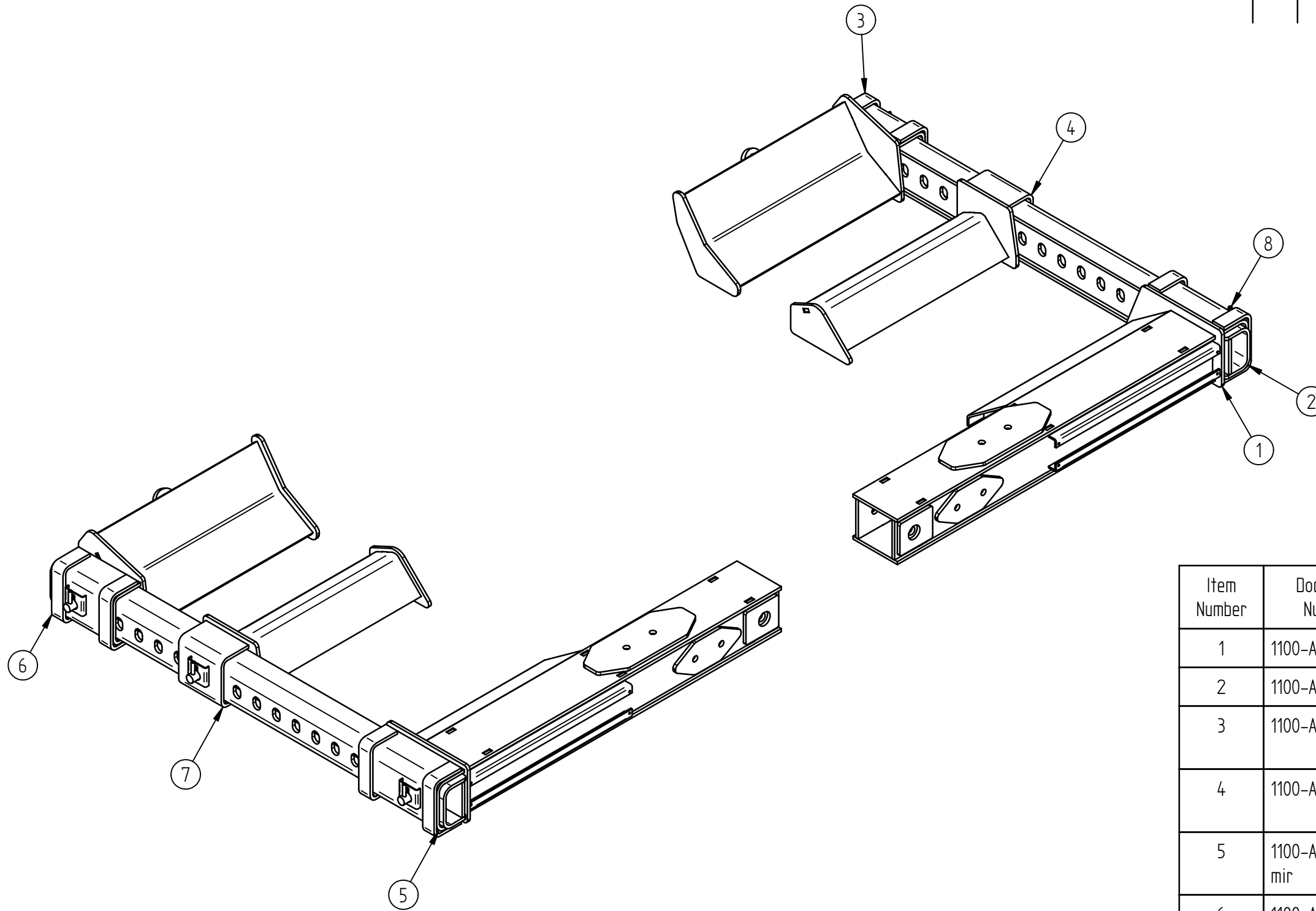


REVISION HISTORY			
REV	DESCRIPTION	DATE	APPROVED



Item Number	Document Number	Title	Material	Quantity
1	1100-A-001-00	L-arm holder (Driverside)		1
2	1100-A-002-00	Beam for L-arm		2
3	1100-A-003-00	Wheelholder on L-arm (Driverside)		1
4	1100-A-004-00	Wheelholder on L-arm - Light cars (Driverside)		1
5	1100-A-001-00_mir	L-arm holder (Pasangerside)		1
6	1100-A-003-00_mir	Wheelholder on L-arm (Pasangerside)		1
7	1100-A-004-00_mir	Wheelholder on L-arm - Light cars (pasangerside)		1
8	1100-A-005-00	L-arm Fixing pin		6

L-Arm construction FAL-10000



Drawn: jr

Drawing No: 1100-A-000-00

Date: 04/10/2010

Project: L-Arm construction FAL-10000

Checked:

Revision: 00

Falkom Kranen B.V.

Material:

Page:1/1

A3